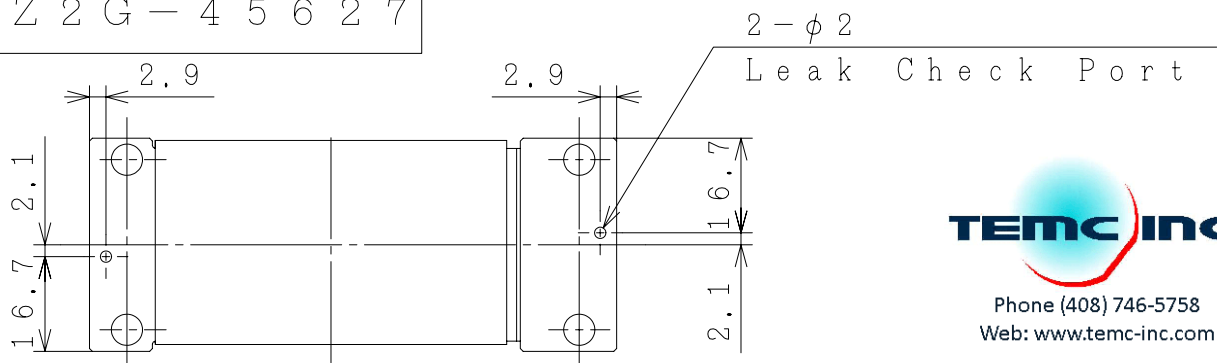
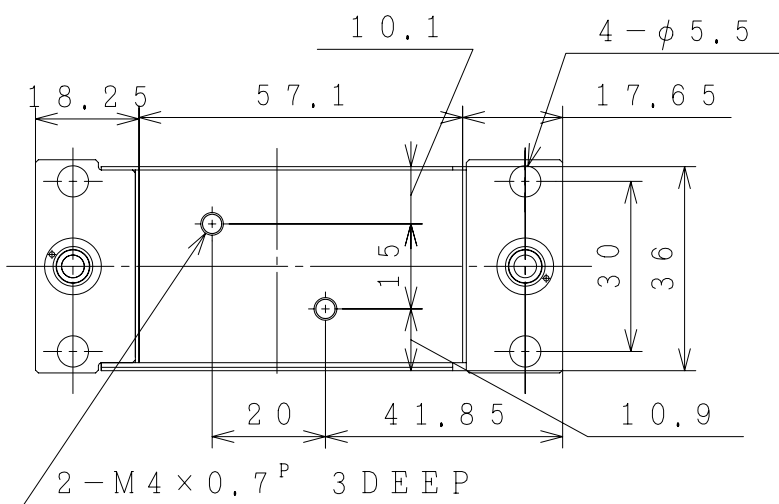
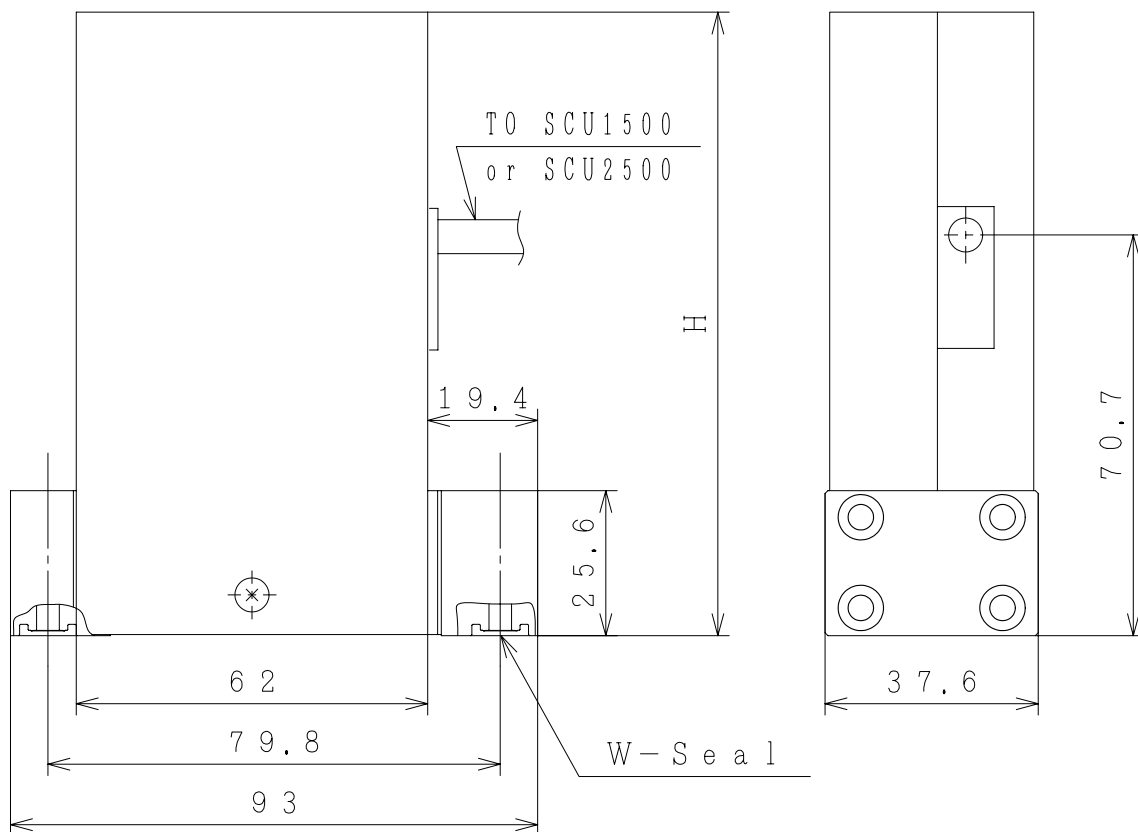


D / # Z 2 G - 4 5 6 2 7



Phone (408) 746-5758  
Web: www.temc-inc.com

GAS →



Model	H
1 5 7 0 F	1 1 0
1 6 7 0 F	
1 5 8 0 F	
1 6 8 0 F	
1 5 7 1 F	1 2 6
1 6 7 1 F	
1 5 8 1 F	
1 6 8 1 F	
1 5 7 2 F	1 4 6
1 6 7 2 F	
1 5 8 2 F	
1 6 8 2 F	
1 5 7 3 F	1 4 6
1 6 7 3 F	
1 5 8 3 F	
1 6 8 3 F	

DRW. M. Sugimoto	'09-02-16	Mass Flow Controller Dimensions Hitachi Metals, Ltd.
CHK. J. Fujii	'09-02-16	
APRVD. T. Gotoh	'09-02-16	Kuwana Create Co., Ltd. Sam Research

F M T 1 5 7 * F A - 4 U G
F M T 1 6 7 * F A - 4 U G
F M T 1 5 8 * F A - 4 U G
F M T 1 6 8 * F A - 4 U G