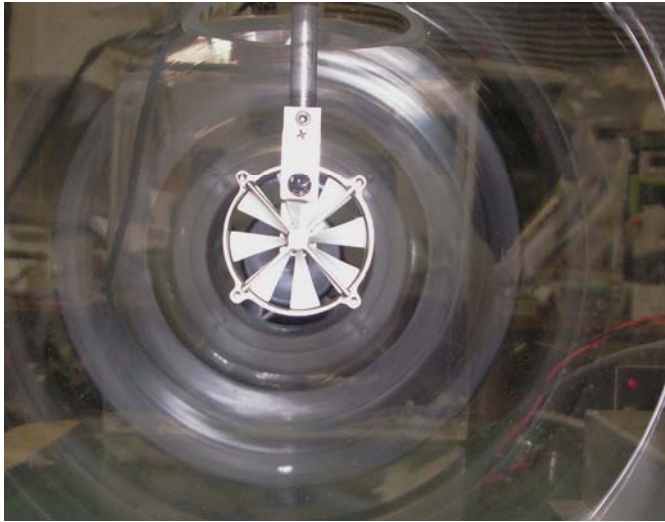


Digital Anemometer TF-9 Series

**The best solution for monitoring air
movement in ducts**



Flange mount for Duct



Micro Fan
Sensor



Measurement of Ventilation volume
for Equipment

Detects the slightest air movement!

Loaded Corrosion Resistant High-Precision Sensor

- Detection fin has corrosion resistant structure
- Sealed ultra precise bearing
- Display airflow in digital pulse wave
- Available with “Serial RS485”, “4-20mA”, and “Alarm” outputs,
by connecting Digital Display

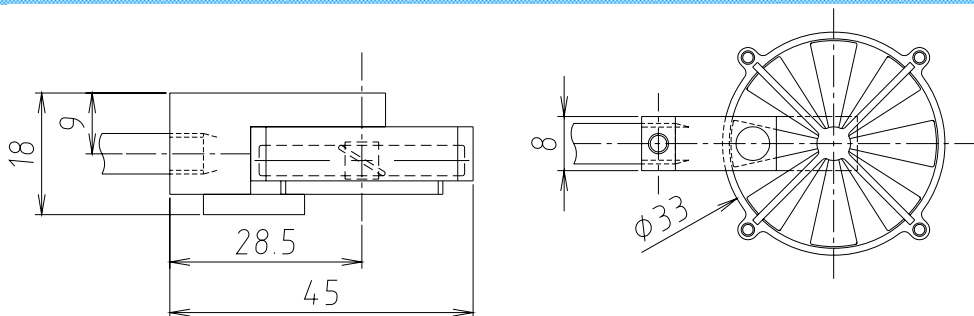
Contact to

hello@tem-tech.co.jp

Tem-Tech Lab.

Digital Airflow Anemometer TF-9 Series

2006 . 12



Application	Monitoring air movement in ducts
Model No.	TF-9
Rated speed	0 ~ Max20m/sec digital display m3/min
over load tolerance	×1.5
Over load limit	×1.5
Detect fin	Polycarbonate + glass fiber
Digital Revolution Counter Electronic characteristic	I Power supply DC24V(panel)、AC100V(install)
	II Output Airflow digital display
	III Circuit CPU microprocessor
	IV transmitter output Analog 4 ~ 20mA
	V Alarm output upper limit and lower limit open collector output one point
	VI consumption current panel about 2.5VA ,install about 15W
Sensor power	Digital airflow meter with built-in 8V
Operation temperature range	0 ~ 120°C
Measuring temperature	0 ~ 50°C
Detecting Max Temp.	0 ~ 120°C
Sensor installation	With flange
Output cable	Standard 3 m sensor single cable 3 wires system, install type is with connector
Output	Revolution pulse
Bearing	compact precision ball bearing
Installation	Install right-angle toward to airflow

Note: Specifications are subject to change without notice.

Contact to : hello@tem-tech.co.jp