

# SEW-T420 series



**It enables the conventional load cell to transmit 4-20mA output with 2-wires.**

*Tem-Tech precise electronic technology allows the load cell:*

- 1 transmit 4-20mA output through 2-wires
- 2 easy installation
- 3 no requirement for external amplification
- 4 long-distance transmission (approx. 1km)
- 5 adopt display, TDWS-600 to measure actual content by setting "Actual Load" mode

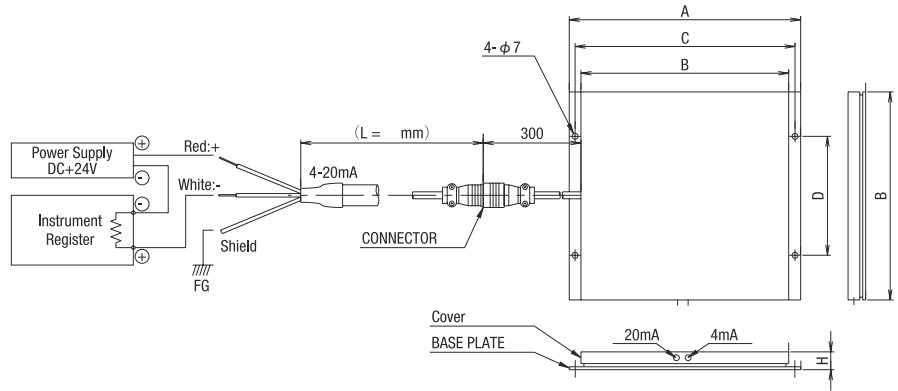
**TEM-TECH LAB. Co.,Ltd**

# Tem-Tech Lab. LOAD CELL & DISPLAY

## Specifications of Load-Cell

Output Signal	2Wire 4-20mA
Power Supply	DC 24V
Load Resistance	500Ω Max (DC24V)
Accuracy	+/-0.3%FS
Load Conversion	4×Beam
Temperature Compensation Range	0-50 degree C
Over Load	150%

note: Specifications are subject to change without notice.



SIZE	A	B	C	D	H	Measurement Range
200	240	200	220	140	33	50,100kg
250	290	250	270	200	33	50,100,200kg
300	340	300	326	200	33	50,100,200kg
420	460	420	440	200	33	50,100,200kg
500	540	500	520	300	37	200,300,400kg

## ORDERING INFORMATION (Example: SEW-T420-200-50)

SEW-T420- **Size** S- **Range**

200	200□
250	250□
300	300□
420	420□
500	500□

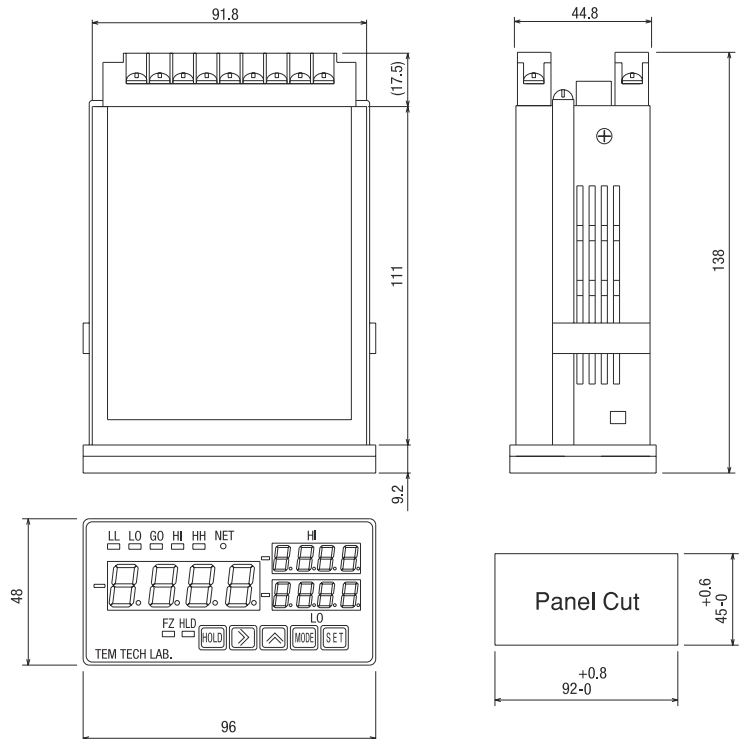
50	50 kg
100	100 kg
200	200 kg
400	400 kg

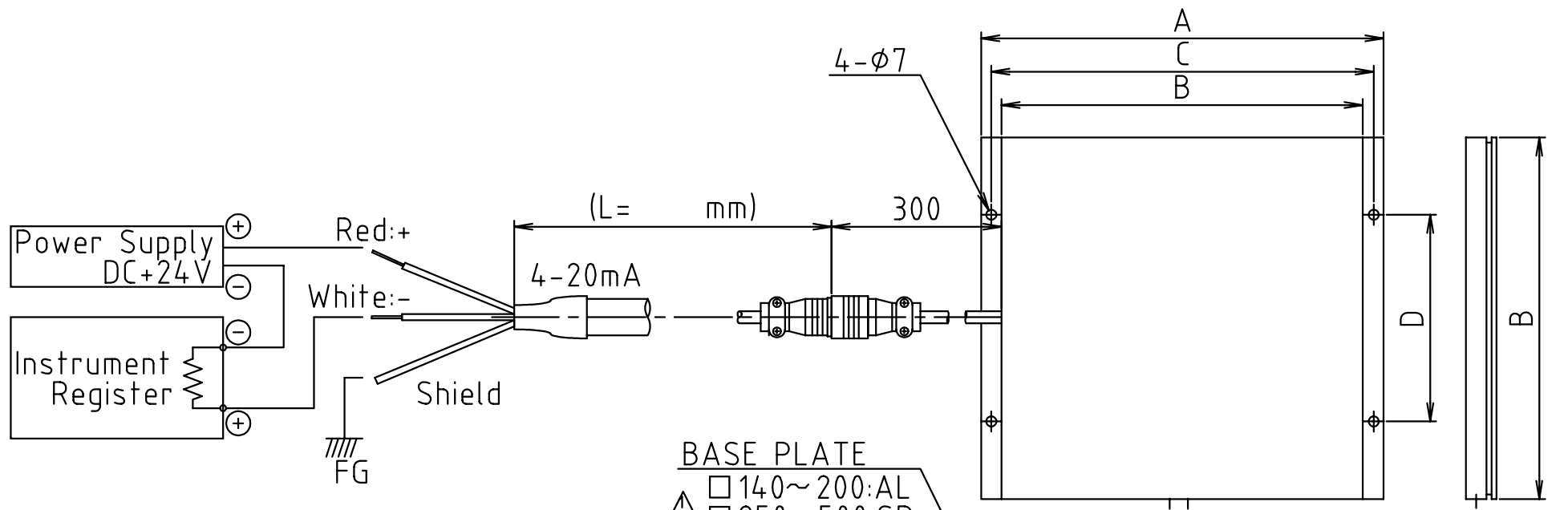
## Specifications of Display

MODEL	TDWS-600
Load Cell Sensor	2Wire 4-20mA Output Load Cell
Zero Offset Adjust Range	0-9999
Span Scaling Range	+/-4000
Scaling Method	Digital System Micro Computer

Function	as follows
1 Sampling Frequency	20,10,5,2.5, 1tms/Sec Selectable
2 Comparater	H-L H-H L-L Selectable Relay 30VDC 2A Max
3 Accuracy	+/- (0.1%R+1) digit
4 Auto Zero	Yes (available)
5 Hysteresis	1-3999 Digit Selectable
Analog Output	4-20mA
Power Supply/Power Consumption	100-120V AC +/-10%/10VA
Display	LED +/-9999
Load Resistance	400Ω Max

note: Specifications are subject to change without notice.





BASE PLATE  
 □ 140~200:AL  
 □ 250~500:SP  
 (OPTION:SUS)

△ STANDARD

SIZE	A	B	C	D	H	RANGE	4-20mA
□ 140	170	140	160	100	(38.5)	20~50Kg	NO
□ 200	240	200	220	140	(31)	50~100Kg	YES
□ 250	290	250	270	200	(31)	50~200Kg	YES
□ 300	340	300	326	200	(31)	50~200Kg	YES
□ 420	460	420	440	200	(31)	50~300Kg	YES
□ 500	540	500	520	300	(31)	50~300Kg	YES

△△ OTHER

SIZE	A	B	C	D	H	RANGE	4-20mA
□ 200	240	200	220	140	(38.5)	20~50Kg	YES
□ 280	---	280	---	---	(31)	50~100Kg	YES
□ 335	---	335	---	---	(31)	50~100Kg	YES
□ 420	460	420	440	200	(31)	20~100Kg	YES
□ 420	460	420	440	200	(37)	200~400Kg	YES
□ 500	540	500	520	300	(37)	20~400Kg	YES
□							

△		APP	REV	DSG	APP 小平	名称 TITLE SEW-T420-***S	
△	2001.04.09 仕様の統一化	APP	REV Kawamura	DSG M.Tsukada	REV 川村	scale NONE 三角法	図面番号 NO 9900191
△	□280寸法追加	APP	REV	DSG	DSG 川崎	<b>TEM-TECH LAB.</b>	日付 DATE 00.05.25