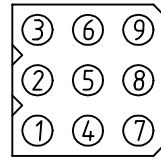
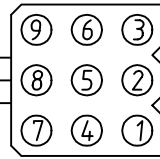
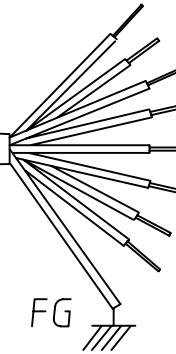


MOLEX  
1625-09P1

MOLEX  
1625-09R1

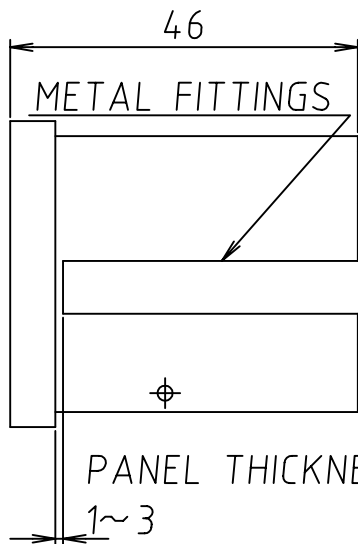
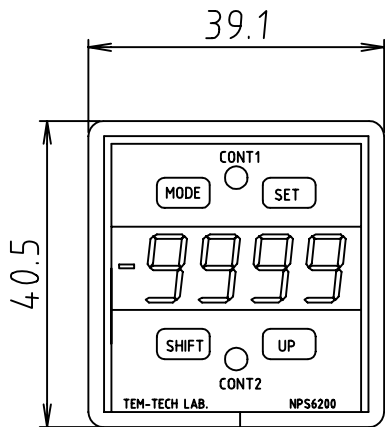


L = mm  
REQUETS FOR CABLE LENGTH



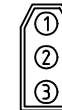
PIN ASSIGNMENTS

- 1:White Analog COM -
- 2:Orange Analog OUT +
- 3:Brown CNT2-COM
- 4:Yellow CNT2-OUT
- 5:Blue CNT1-COM
- 6:Green CNT1-OUT
- 7:Red Power Supply IN +24VDC
- 8:Black Power Supply IN 0V 100mA
- 9:Shield FG



(L=150mm)

MOLEX  
1625-03P1

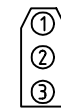


PIN ASSIGNMENTS

- 1:RED (+)
- 2:WHITE (-)
- 3:SHIELD

L = mm  
REQUETS FOR CABLE LENGTH

MOLEX  
1625-03R1



SENSOR

|                        |     |     |     |                  |                   |             |                         |           |
|------------------------|-----|-----|-----|------------------|-------------------|-------------|-------------------------|-----------|
| 3<br>Rev.No. DATE&NOTE | APP | REV | DSG | APP              | TITLE<br>NPS6200P |             |                         |           |
| 2<br>Rev.No. DATE&NOTE | APP | REV | DSG | REV              | SCALE<br>1:1      | 3rd DRAWING | DRAWING No.<br>121053-7 | Rev.<br>△ |
| 1<br>Rev.No. DATE&NOTE | APP | REV | DSG | DSG<br>M.Tsukada | TEM-TECH LAB.     |             | DATE<br>2002.06.18      |           |