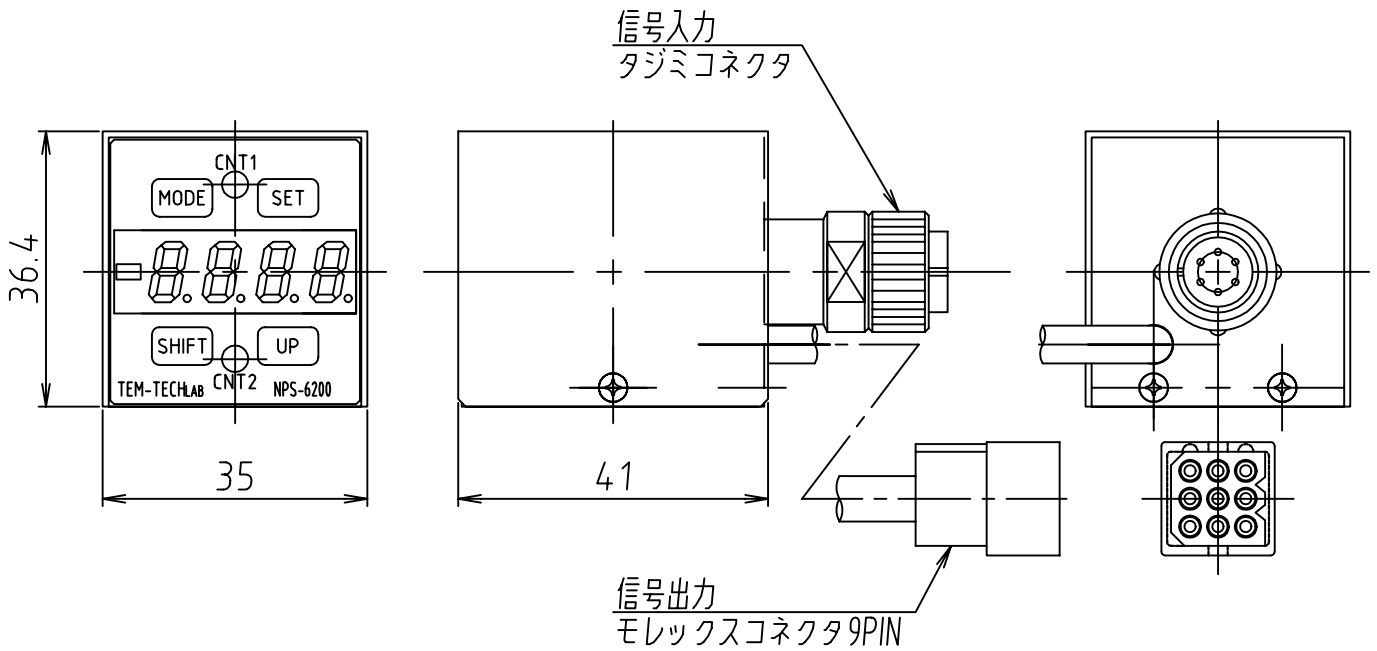
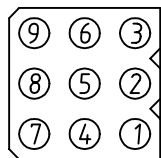
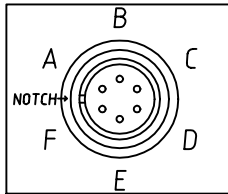


Rev	DATE	NOTE	APP	REV	DSG
△					
△					
△					



PIN	Cable Color	Function	Remarks
A	RED		
B-C	BLACK		
D-F	-----	(BLANK)	No Connection
1	White	Analog COM	COM
2	Orange	Analog OUT	Signal
3	Brown	CNT2	Emitter Open(isolate)See Instruction Manual
4	Yellow	CNT2	Collector Open(isolate)
5	Blue	CNT1	Emitter Open(isolate)
6	Green	CNT1	Collector Open(isolate)See Instruction Manual
7	Red	Power Supply	+DC24V(100mA)
8	Black	Power Supply	0V
9	Shield	Frame Grand	Must Connect to GND Line



APP	TITLE NPS6200 外觀図 入力：タジミコネクタ / 出力：モレックスコネクタ9PIN)			Rev.
REV	SCALE		DRAWING No.	△
	1:1	3rd DRAWING		
DSG	TEM-TECH LAB.		DATE	2004.02.06