

*Versatile Pressure Transmitter for
Semiconductor applications*

AR Series



Pressure Sensors for High Purity Fluids

Pursuit of high cost performance

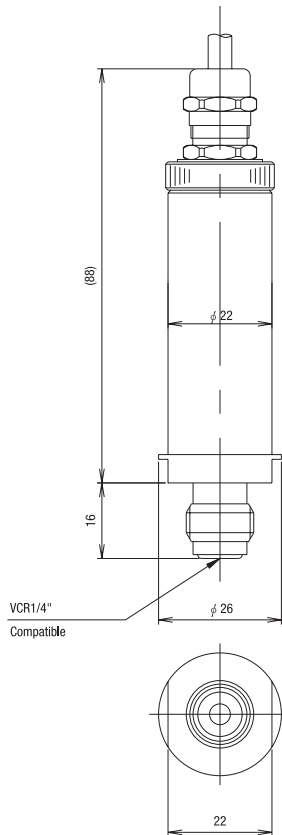
- 1** *High accuracy & reliability by adopting proven Load-conversion Sensing Technology*
- 2** *High immunity against EMI with adoption of dual noise protection technology*
- 3** *Versatile Range: two range from Low to High Pressure*
- 4** *Compact and durable for maintenance free*
- 5** *CE Compliance*

TEM-TECH LAB. Co.,Ltd

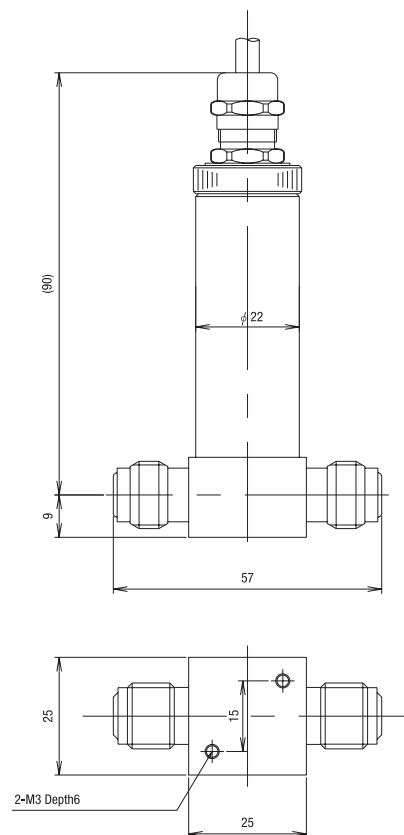
Contact to: hello@tem-tech.co.jp

Versatile Pressure Sensor for Process gases

◀ ARSMV-□□□ P1



◀ ARTMV-□□□ P1



Application	Semiconductor process gases (for use in house)	
Measurement Range	0 (-14.7) to (150) 200, 500, 3000 psi	
Proof Pressure	Rated pressure X 2, 20Mpa: Rated pressure X 1.5	
L.H.R.*1	+/- 0.5%F.S	
Output Signal	4-20mA (420)	0-5V (005), 0-10V (010)
Supply Voltage	DC24V	DC15-24V
Operating Temp.	0 to 80°C	
Compensated Temp.	0 to 60°C	
Thermal Effect	< +/-0.05%FS/degree C	
Wetted Parts	SUS 316L (VIM+VAR)	
Seal Method	Precision Electron Beam Welding	
Leak Integrity	<1 X 10 ⁻⁹ Pam ³ /sec	
Inside Finish	EP treated Ra: < 0.25um	
Process Connection	VCR (V)	
Electrical Connection	Pig tail (P), Tajimi connector (T)	
Fitting Size	1/4" (1), 3/8" (2), 1/2" (3)	

note: *1 Linearity, Hysteresis & Repeatability
 * Specifications are subject to change without notice

ORDERING INFORMATION (Example: ARSMV-420T1)

AR	Type	Fitting	Fitting	Output	Connector	Fitting Size					
S	Single Ended	M	Fixed Male	V	VCR	420	4-20mA	T	Tajimi	1	1/4"
T	Flow Through	F	Swivel Female			005	0-5A	P	Pigtail	2	3/8"
		N	Swivel Male			105	1-5V			3	1/2"
		W	Male-Female			010	0-10V				
		X	Others								