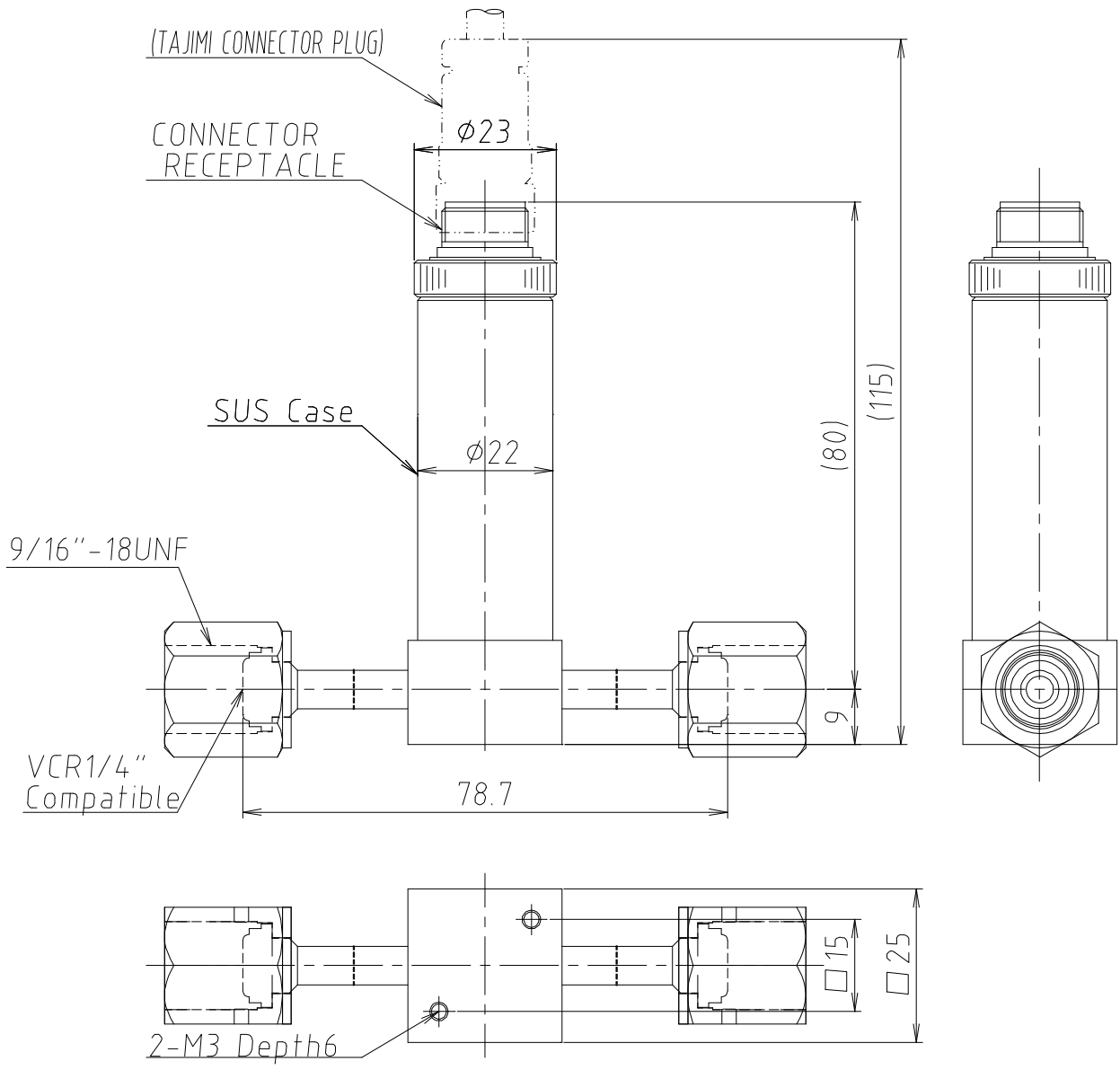


Rev	DATE	NOTE	APP	REV	DSG
△					
△					
△					



APP	TITLE			ARTFV-xxxT1
REV	SCALE	3rd DRAWING	DRAWING No.	Rev.
	1:1		-REF DWG-	△
DSG	DATE			
M.Tsukada	TEM-TECH LAB.		2003.10.10	