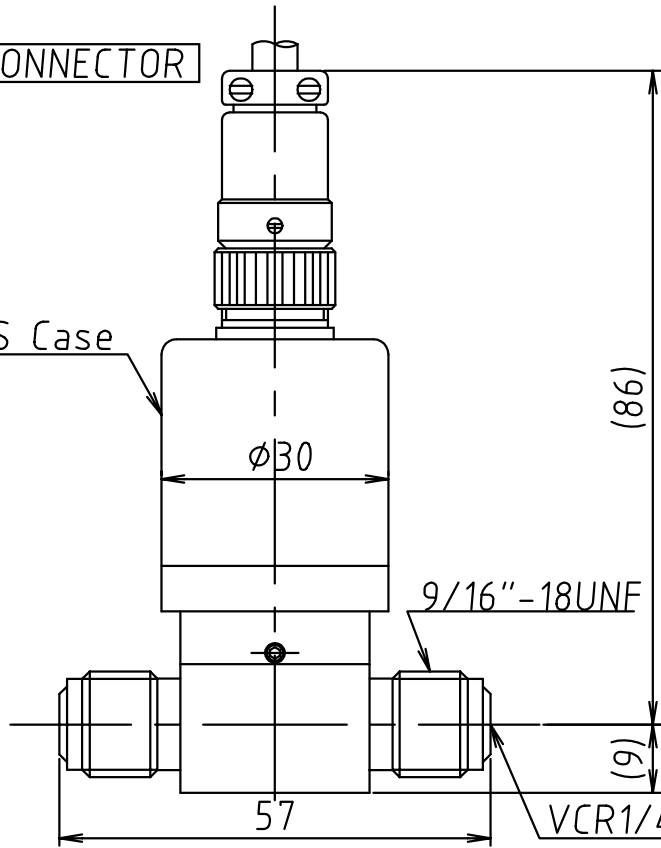
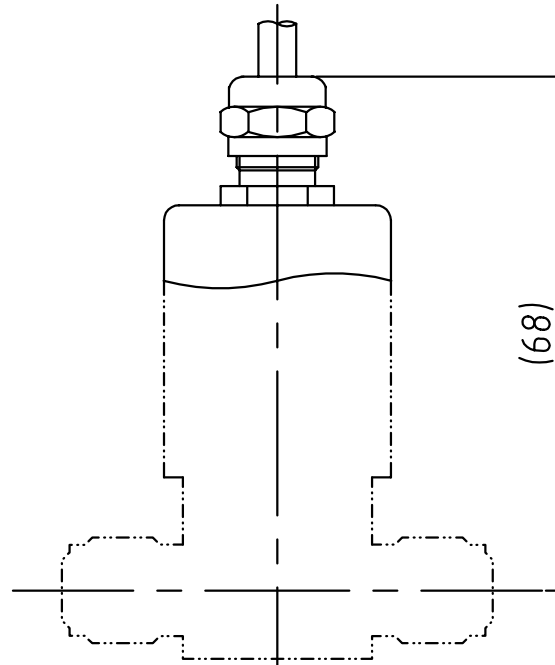


CONNECTOR

SUS Case

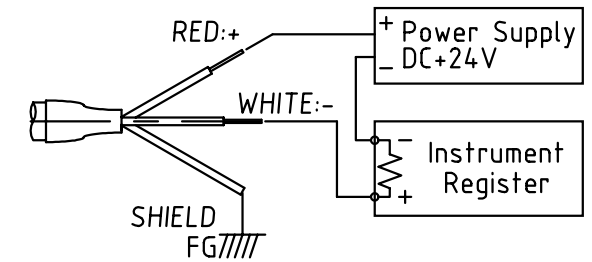


Cable Gland

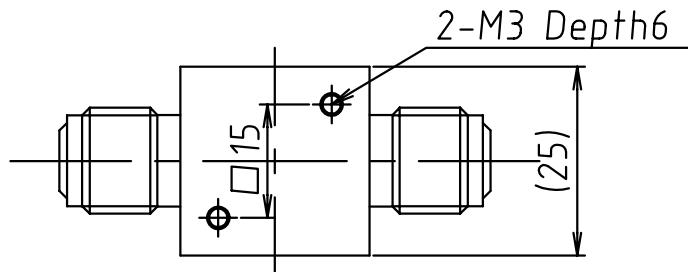
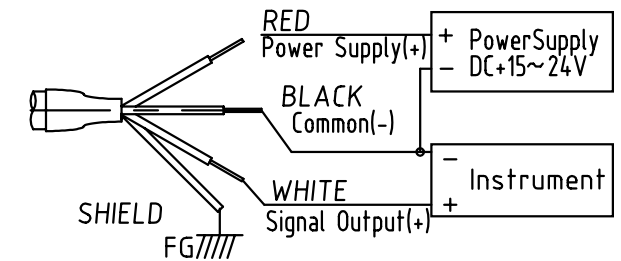


### WIRING

OUTPUT SIGNAL: 4-20mA



OUTPUT SIGNAL: Voltage Type



Phone (408) 746-5758  
Web: www.temc-inc.com

3	Rev.No. DATE&NOTE	APP	REV	DSG	APP	TITLE			
2	Rev.No. DATE&NOTE	APP	REV	DSG	REV	SCALE	HYPTMV-□□□□1	DRAWING No.	9900944
1	Rev.No. DATE&NOTE	APP	REV	DSG	DSG	1:1	3rd DRAWING	DATE	2003.03.31
					M.Tsukada	TEM-TECH LAB.			