

Pressure TRANSMITTER

HYP series



Pressure Sensors for High Purity Fluids

IDEAL FOR HIGH PURITY PROCESS GASES

- 1 *Guarantee high performance by adopting unique Load Conversion technology*
- 2 *Seal free structure*
- 3 *High performance*
- 4 *Wide pressure range: -14.7 to 3000psi*
- 5 *Integrated display available*
- 6 *Applicable for vacuum*
- 7 *CE compliance*

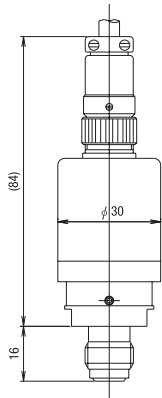
TEM-TECH LAB. Co.,Ltd

Contact to: hello@tem-tech.co.jp

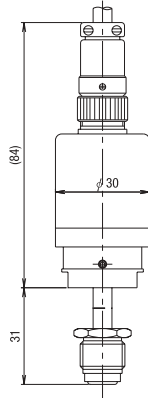
PRESSURE SENSOR FOR SEMICONDUCTOR PROCESS GASES

UHP PRESSURE SENSOR

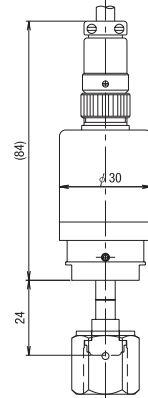
◀ **HYPSMV-□□□T1**



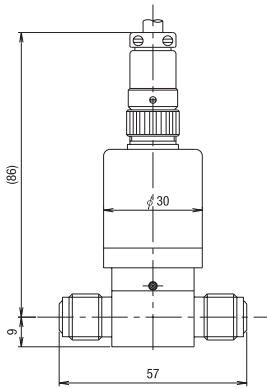
◀ **HYPSNV-□□□T1**



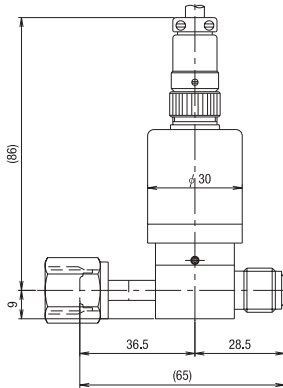
◀ **HYPSFV-□□□T1**



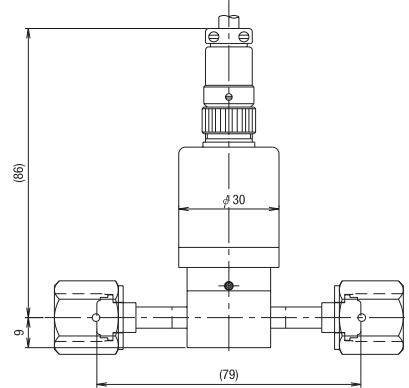
◀ **HYPTMV-□□□T1**



◀ **HYPTWV-□□□T1**



◀ **HYPTFV-□□□T1**



Application	Semiconductor process gases (for use in house)	
Measurement Range	0 (-14.7) to 3000psi (Gauge, Compound pressure, To be specified for the other ranges)	
Proof Pressure	2 ×F.S for range from 0 to 250psi, 1.5 ×F.S for range from 251 to 3000psi	
L.H.R.*1	+/-0.5%F.S for 0 to 50 psi, +/-0.3%F.S for the other ranges	
Output Signal	4-20mA	1-5V, 0-5V, 0-10V
Supply Voltage	DC24V	DC15-24V
Operating Temp.	0 to 80 degree C	
Compensated Temp.	0 to 60 degree C	
Thermal Effect	< +/-0.05%FS/degree C within compensated temp.	
Wetted Parts	316L SS	
Seal Method	Ultra Precision Electron Beam Welding	
Leak Integrity	<1 X 10 ⁻⁹ Pam ³ /sec	
Inside Finish	EP treated Ra: < 0.25um	
Process Connection	VCR, UJR, Others	
Electrical Connection	Pig tail, Tajimi, Bendix, D-Sub	
Fitting Size	1/4, 3/8, 1/2, To be specified for the others	

note: *1 Linearity, Hysteresis & Repeatability
* Specifications are subject to change without notice

Ordering Information (Example: HYPSMV-420T1)

HYP	Type	Fitting	Fitting Type	Output	Connector	Fitting Size	
S	Single Ended	M	Fixed Male (VCR only)	420	4-20mA	T	Tajimi
T	Flow Through	F	Swivel Female	005	0-5V	P	Pigtail
3	3Ways	N	Swivel Male	105	1-5V	Z	Others
L	Elbow	W	Fixed Male-Female	010	0-10V		
Z	Others	X	Swivel Male-Female				
		V	VCR compatible				
		U	UJR				
		P	Micro Fitting				
		T	Weld Stub				
		Z	Others				