

IGS DIGITAL Pressure Sensor

# HYPF IIU-16700



*Multifunctional Pressure Transducer with Display*

## **Any Seal types available**

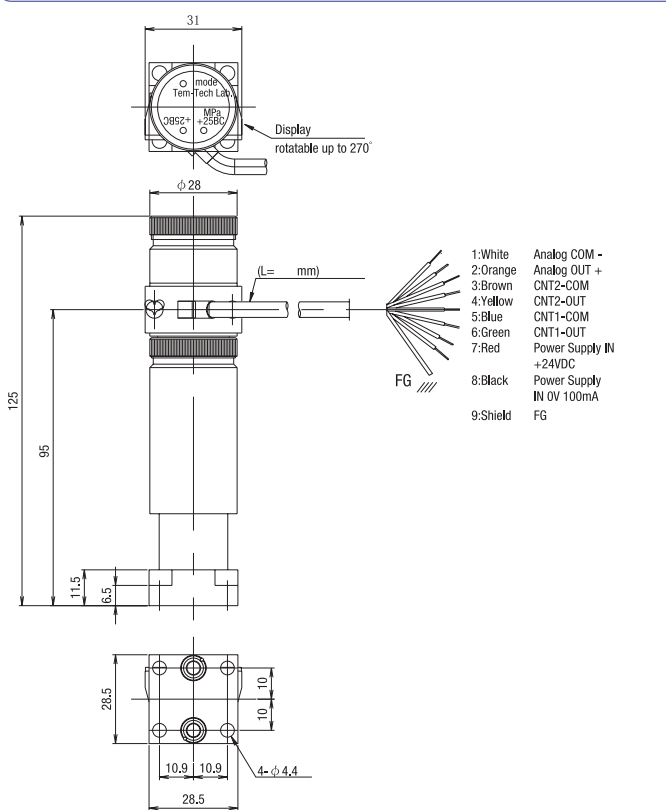
- 1 *Easy-to-See Dot matrix Display*
- 2 *Rotatable display for flexible angle (270Degree)*
- 3 *Built-in Signal Output*
- 4 *Built-in automatic Zeroing function*
- 5 *Built-in comparator (Open Collector)*
- 6 *Less pressure drop structure*

**TEM-TECH LAB. Co.,Ltd**

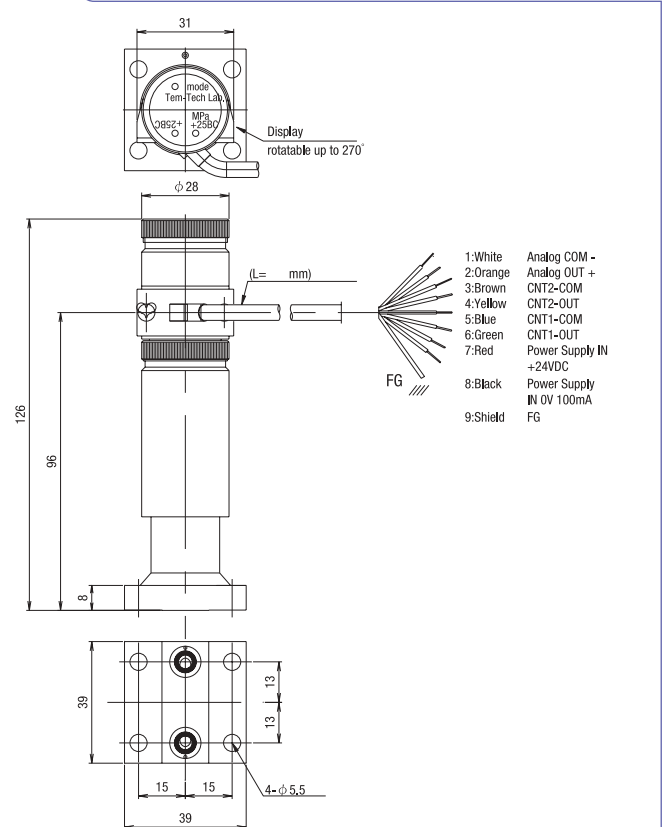
Contact to: [hello@tem-tech.co.jp](mailto:hello@tem-tech.co.jp)

# Multifunctional Pressure Transducer w/ Display

◀ HYPFU-XXXXP-S2/6700, 1.125"



◀ HYPFU-XXXXP-S1/6700, 1.5"



|                                |  |
|--------------------------------|--|
| <b>Application</b>             | Semiconductor process gases  |
| <b>Measurement Range</b>       | 0 to 100, 150psi   |
| <b>Proof Pressure</b>          | Full scale ×2  |
| <b>Accuracy</b>                | Less than +/- 0.75%F.S, Resolution of signal output: less than 10bits  |
| <b>Power Supply</b>            | DC24V, Power consumption: Max.50mA, Normal. Less than 20mA   |
| <b>Operating Temp Range</b>    | 0 to 80 degree C   |
| <b>Compensation Temp Range</b> | 0 to 60 degree C   |
| <b>Thermal Effect</b>          | 0.05%F.S/Degree C +/- 1digit within compensated temp.  |
| <b>Output Signal</b>           | 4-20mA or 0 to 10V   |
| <b>Process Connection</b>      | 1.125 C seal/ W seal, 1.5 C seal/W seal/B seal   |
| <b>Wetted Parts</b>            | 316LSS   |
| <b>Display Indicate</b>        | Dot-matrix, 3 1/2digits display  |
| <b>Function</b>                | 1. Rotatable display: Right 180Deg & Left 90 Deg<br>2. Auto Zero<br>3. Comparator: H/H, H/L, L/L selectable, Hysteresis: Possible to set 0 to 99digits |

note: \*1 Linearity, Hysteresis & Repeatability  
\* Specifications are subject to change without notice

## ORDERING INFORMATION (Example: HYPFI-420T-S1)

|          |                  |   |                   |                  |   |                  |   |             |
|----------|------------------|---|-------------------|------------------|---|------------------|---|-------------|
| HYPF     | <b>Seal Type</b> | — | <b>Output</b>     | <b>Connector</b> | — | <b>Seal Size</b> | / | <b>6700</b> |
| <b>I</b> | C-Seal           |   | <b>420</b> 4-20mA | <b>P</b> Pigtail |   | <b>S1</b> 1.5"   |   |             |
| <b>U</b> | W-Seal           |   | <b>005</b> 0-5V   | <b>M</b> Molex   |   | <b>S2</b> 1.125" |   |             |
| <b>B</b> | B-Seal           |   | <b>105</b> 1-5V   | <b>D</b> D-Sub   |   |                  |   |             |
|          |                  |   | <b>010</b> 0-10V  |                  |   |                  |   |             |