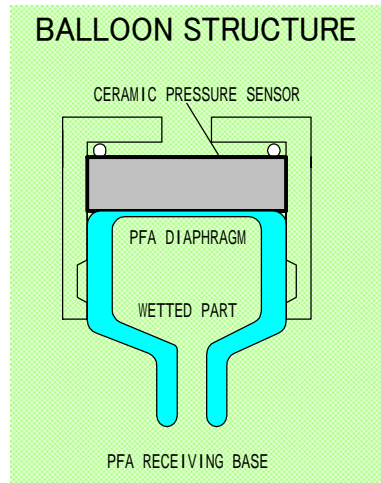


# SE3400/SE3500

## Seal-Free Perfluoroalkoxy Resin(PFA) Pressure Sensor (Miniature Type)



### Seal-Free Miniature Model for Space Saving

- Standardized for NPT1/4"
- A single piece "balloon" structure eliminates contamination from seals
- Wide pressure range available from vacuum measurement to 1MPa (150PSIG)
- Wetted parts with high purity perfluoroalkoxy resin PFA

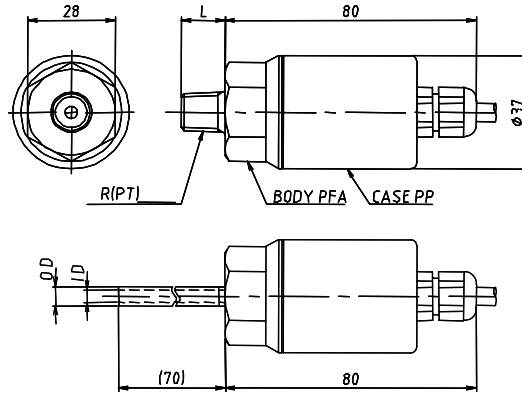
Contact to [hello@tem-tech.co.jp](mailto:hello@tem-tech.co.jp)

Tem-Tech Lab.

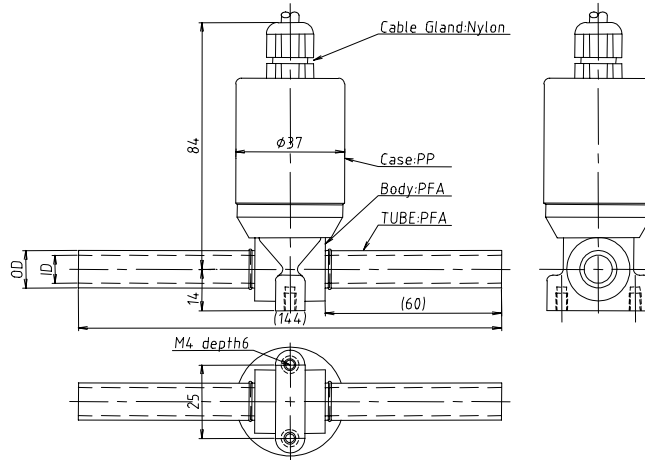
# One Piece PFA Pressure Sensor

2003.9

## SE3400



## SE3500



Pat.  
Japan: #3328634  
U.S: #6,474,169

Application	Chemicals (acid, alkali, solvent), Ultra pure water *1	
Measurement Range	0(-14.7) to 150psi (Gauge, Compound pressure)	
Proof Pressure	0 to 50 psig - 110psig, 0 to 75 psig – 110psig, 0 to 150psig – 180 psig	
L.H.R.*2	±1%F.S (std 25 degree C)	
Output Signal	4-20mA	1-5V, 0-5V , 0-10V
Supply Voltage	DC24V	DC15-24V
Operating Temp*3	0 to 80°C	
Process Connection	Tube, Flared, PT, NPT, Super Pillar	
Enclosure Protection	IP 55 Compatible	
Construction Materials	Diaphragm, Wetted part – New PFA, Electrical enclosure – P.P	

NOTES : \*1 Media should be compatible with PFA.

\*2 Linearity, Hysteresis, Repeatability

\*3 Using at invariable temperature is recommended as this part does not contain compensatory circuit.

\*4 Specifications is subject to change without notice.

### \*Ordering Information (Example: SE3400-420-P1-050PG)

SE	Type	Output	Fitting	Fitting Size	Range	Measure	Pressure
3400	Single Ended	420 : 4-20mA	P : Tube	1 : 1/4"	050 : 50	P : PSI	G : Gage Pressure
3500	Flow Through	005 : 0-5V	F : Flared	2 : 3/8"	075 : 75	K : Kg/cm <sup>2</sup>	C : Compound Pressure
		105 : 1-5V	R : R(PT)	3 : 1/2"	100 : 100	M : Mpa	
		010 : 0-10V	N : NPT	4 : 3/4"	145 : 145		
			S : Super Pillar	5 : Others			

Contact to hello@tem-tech.co.jp