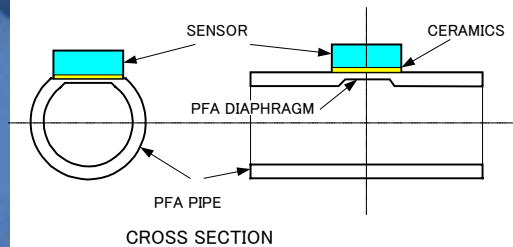


# SE4000 Series

**One & only (PFA) Pressure Sensor  
In the world featuring  
one pipe-flow-through technology**



**This NEW design (No dead volume Diaphragm) reduce the problems of CMP slurry and other contamination.**

**Special design for pressure measurement of  
CMP Slurry .**

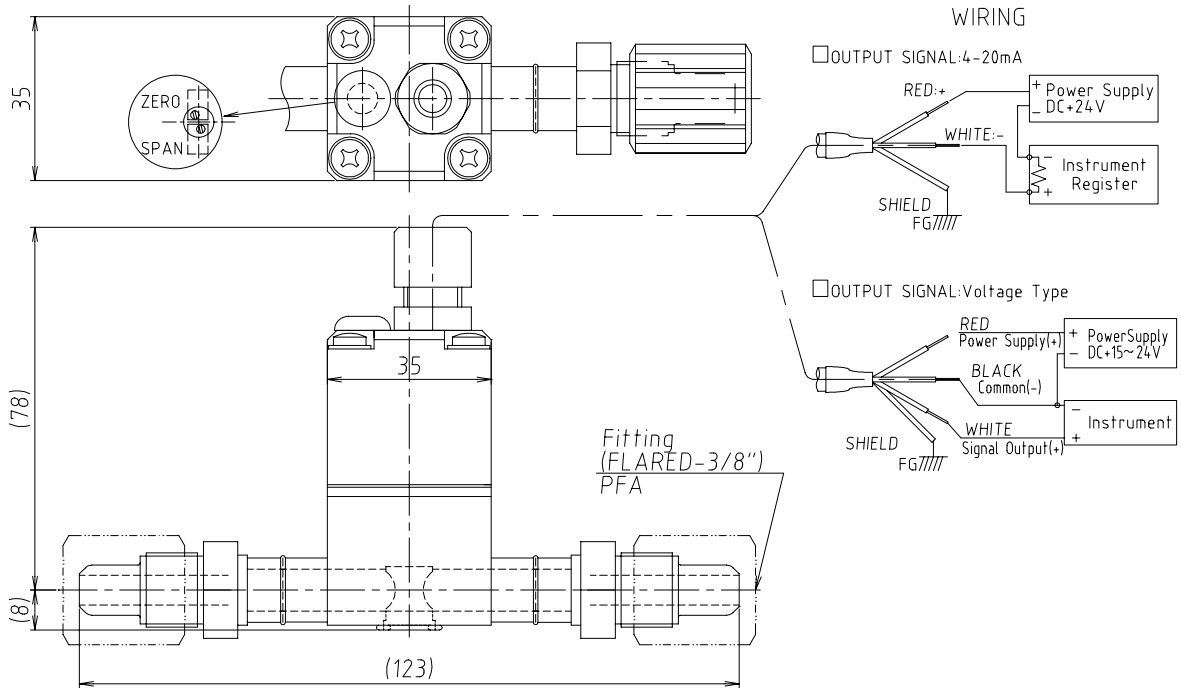
- A new NANO-composite ceramic sensor with unique adhesion to PFA diaphragm
- No dead volume Diaphragm avoids pressure losses
- Wide pressure range available, from vacuum measurements to a maximum of 150PSI
- Wetted parts with high purity PFA
- Diaphragm out of PFA enables this pressure transmitter to be compatible with aggressive chemicals

Contact to [hello@tem-tech.co.jp](mailto:hello@tem-tech.co.jp)

Tem-Tech Lab.

# One Piece PFA Pressure Sensor

## SE4000 Series



Application	Any Fluids compatible with PFA	
Measurement Range	50 psi / 75 psi / 150 psi	
Proof Pressure	FS × 1.5	
Accuracy	+/- 1%F.S (Includes Linearity, Hysterisis, Repeatability)	
Operating Temperature	0 to 80Degree C	
Output Signal	4-20mA (2 Wires)	0 – 5V / 0 – 10V (3 Wires)
Supply Voltage	24VDC	DC 15V to 24V
Material	Wetted part : PFA	
Leak Integrity	3 x 10 <sup>-8</sup> Pam <sup>3</sup> /sec	
Enclosure Protection	IP 55 Compatible	
Process Connection	3/8 " , 1/2" Tube, Flared, other( ask )	
Signal Cable	Φ5.3 2, or 3 Wires shield cable. 3m.	
Dimensions options #	Tube and Connection length (shown as #) can be customized.	

NOTES : \* Specifications is subject to change without notice.

**\*Ordering Information (Example: SE4000-420-F2-050PG)**

SE	Type	Output	Fitting	Fitting	Range	Measure	Pressure
4000	Flow Through	420 : 4-20mA	P : Tube	2 : 3/8"	050 : 50	P : PSI	G : Gage Pressure
		005 : 0-5V	F : Flared	3 : 1/2"	075 : 75		
		010 : 0-10V	S : Super Pillar		150 : 150		