

High Temperature Pressure Sensor

SE800SH series

SE800SH series w/heat sink



Pressure Sensors for High Purity Fluids

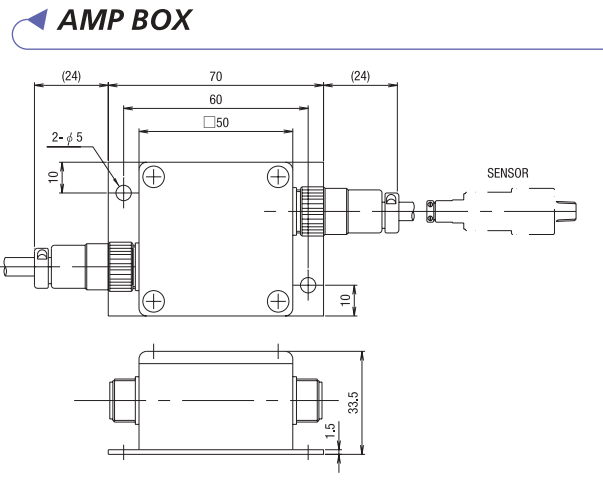
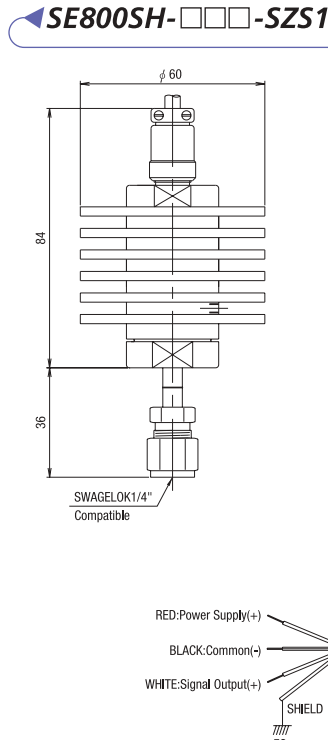
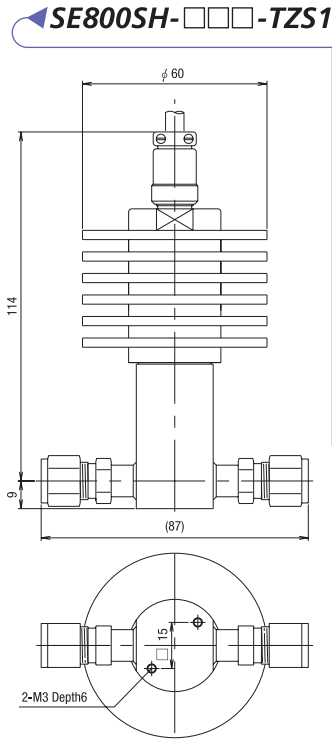
Now developed for high temperature applications!!

- 1 *Applicable for up-to 200 deg. C*
- 2 *Easy maintenance with remote amplifier*
- 3 *Ideal for vaporizing system*
- 4 *Ideal for BIO system requiring sterilization*
- 5 *Capable of cleanliness treatment*

TEM-TECH LAB. Co.,Ltd

Contact to: hello@tem-tech.co.jp

Pressure Sensor for high temperature of up-to 200 deg. C



Application	For high temperature fluids (up-to 200 degree C), w/remote amplifier	
Measurement Range	0 (-14.7) to 50, 150, 700, 1500, 3000, 5000, 7000 psi, Other Ranges: refer to factory	
Proof Pressure	Rated pressure x 2	
L.H.R.*1	±1% F.S	
Output Signal	4-20mA (420)	0-5V (005), 0-10V (010), 1-5V (105)
Supply Voltage	DC24V	DC15-24V
Operating Temp.	-54 to 200 °C	
Thermal Effect	2% FS/Degree C at controlled constant temperature	
Wetted Parts	316LSS	
Seal Method	Ultra Precision Electron Beam Welding	
Leak Integrity	1 x 10 ⁻⁹ Pam ³ /sec	
Process Connection	1/4" Swagelok (Standard), 1/4" VCR, Others: refer to factory	
Electrical Connection	Pig tail (Heat-resistant cable)	

note: *1 Linearity, Hysteresis & Repeatability
 2. Specify operating temperature when ordering so that the calibration is made at its temperature at factory before shipment.
 3. Specifications are subject to change without notice

ORDERING INFORMATION (Example: SE800SH-420-SNS1)

SE800SH	Output	Type	Fitting	Fitting Type	Fitting Size
420	4-20mA	S Single Ended	N Swivel Male	S Swagelok	1 1/4"
005	0-5V	T Flow Through	F Swivel Female	V VCR compatible	2 3/8"
105	1-5V		Z Others	U UJR	3 1/2"
010	0-10V				4 Others