

High Corrosion Resistant Pressure Sensor

SE900N

Ceramic Diaphragm Pressure Sensor



Pressure Sensors for High Purity Fluids

Adoption of ALUMINA ceramic diaphragm enabled customers to apply the sensor for corrosive fluids, especially for acid and alkaline (liquid and vapor)

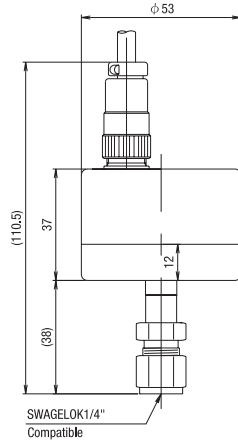
- 1** *Diaphragm with high purity ALUMINA ceramics*
- 2** *Seal with fluoro-resin o-ring*
- 3** *Wide range from ultra low pressure up to 1MPa*
- 4** *Differential sensor is ideal for monitoring filter clogging of exhaust gas treatment equipment*
- 5** *The sensor for ultra low pressure is applicable to flow monitoring of the duct*
- 6** *Applicable to vacuum services*

TEM-TECH LAB. Co.,Ltd

Contact to: hello@tem-tech.co.jp

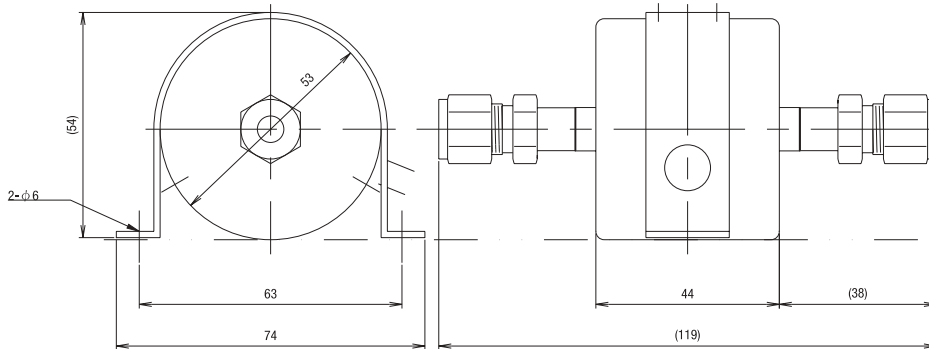
SE900 series:
High corrosion Resistant pressure and differential pressure sensors

Pressure Sensor



Model	SE-900N□□□-C (C: represents PFA coating)
Application	Low pressure measurement for corrosive gases (exhaust gases), Other aggressive chemicals
Pressure Range	0 to 10kPa, 20kPa, 50kPa, 100kPa
L.H.R.*	Less than -1% F.S
Compensated Temp Range	-1 to 50°C
Thermal Effects	-0.1% F.S/°C
Wetted Part Material	316 SS Housing, Ceramic Diaphragm
Sealing Method	Viton (Standard), Kalrez
Process Connection	Swagelock 1/4, (Standard), NPT1/4, Others (refer to factory)
Output Signal	4-20mA (420), 1-5V (105), 0-5V (005), 0-10V(010)
Power Supply	DC24V for 4 to 20mA output, DC 15 to 24V for voltage output

Differential Pressure Sensor



Model	SE-900DF□□□-C (C: represents PFA coating)
Application	Low pressure measurement for corrosive gases (exhaust gases), Other aggressive chemicals
Pressure Range	0 to +/-5kPa, +/-10kPa, +/-20kPa, +/-50kPa
L.H.R.*1	Less than -1% F.S
Compensated Temp Range	-1 to 50°C
Thermal Effects	-0.1% F.S/°C
Wetted Part Material	316 SS Housing, Ceramic Diaphragm
Sealing Method	Viton (Standard), Kalrez
Process Connection	Swagelock 1/4, (Standard), NPT1/4, Others (refer to factory)
Output Signal *2	4-20mA (420), 1-5V (105), 0-5V (005), 0-10V (010)
Power Supply *2	DC24V for 4 to 20mA output, DC 15 to 24V for voltage output

note: *1 Linearity, Hysteresis & Repeatability
*2. Separating amp box
* Specifications are subject to change without notice