

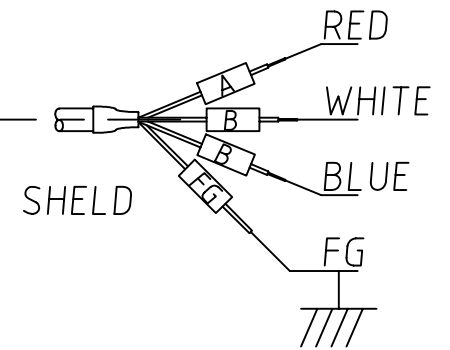
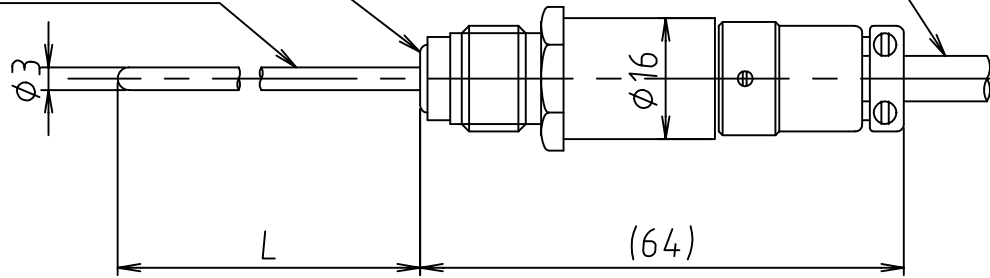
VCR1/4" Compatible

SUS316 EP finish

CABLE : () m

0~200°C (Hi Temp)

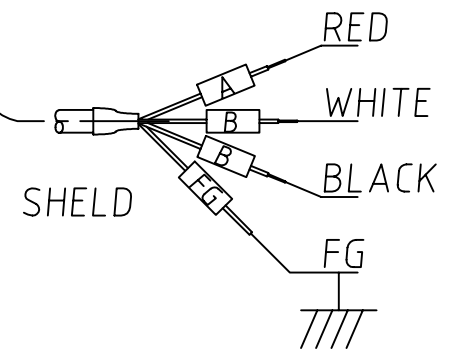
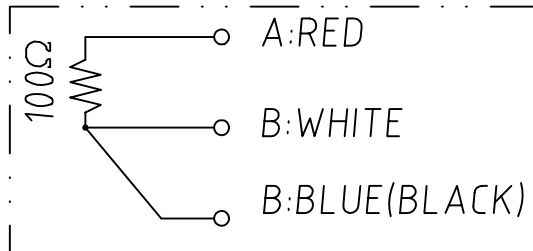
| | |
|--------------------------|----------------------------|
| <input type="checkbox"/> | Sheath L (mm) |
| <input type="checkbox"/> | 20 |
| <input type="checkbox"/> | 40 |
| <input type="checkbox"/> | 70 |
| <input type="checkbox"/> | (as Specified by Customer) |



Model : SET-100MV-()L

0~100°C (Lo Temp.)

PT100Ω out 3wire



Measurement Temp. 0~200°C (Hi Temp)
0~100°C (Lo Temp.)

| | | | | | | | | | |
|---|-------------------|-----|-----|-----|------------------|------------------------|-------------|-------------------------|-----------|
| 3 | Rev.No. DATE&NOTE | APP | REV | DSG | APP | TITLE SET-100MV-*** | | | |
| 2 | Rev.No. DATE&NOTE | APP | REV | DSG | REV | SCALE 1:1 | 3rd DRAWING | DRAWING No. 9900161B | Rev. 0 |
| 1 | Rev.No. DATE&NOTE | APP | REV | DSG | DSG M.Tsukada | TEM-TECH LAB. | | DATE 2002.06.18 | |