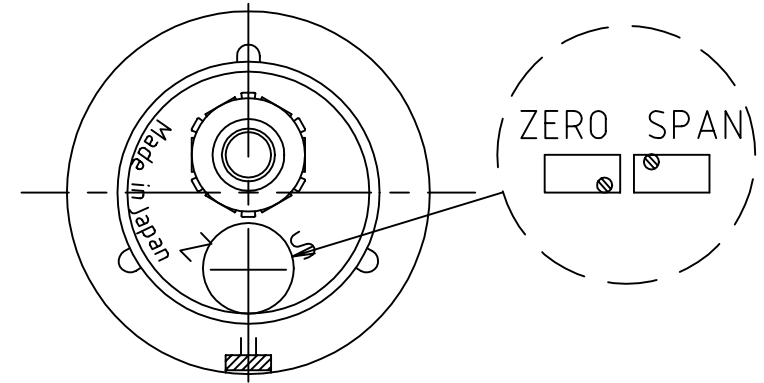
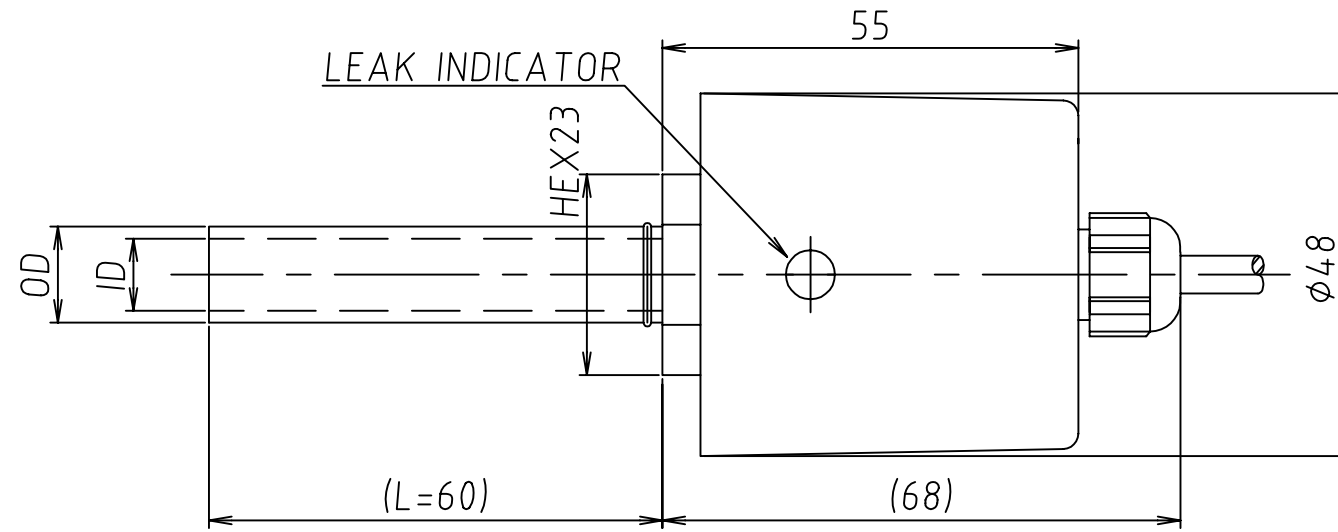


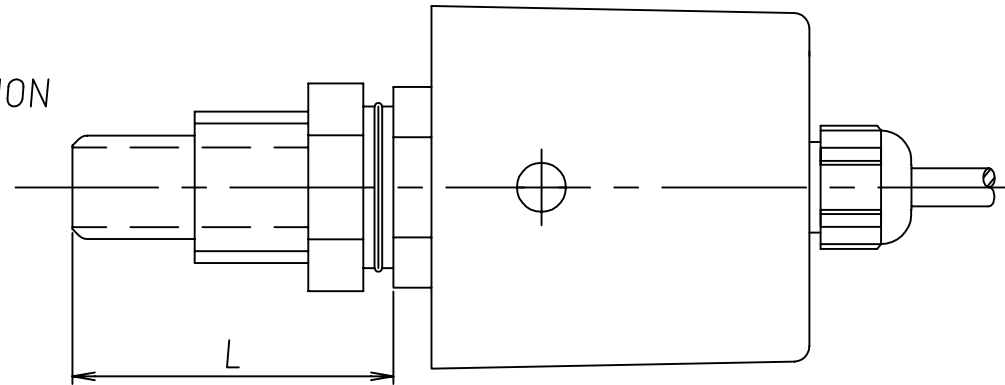
TUBE CONNECTION

	SIZE	OD	ID
<input type="checkbox"/>	1/4"	6.35	3.96
<input type="checkbox"/>	3/8"	9.53	6.38
<input type="checkbox"/>	1/2"	12.70	9.55
<input type="checkbox"/>	3/4"	19.05	15.90
<input type="checkbox"/>			



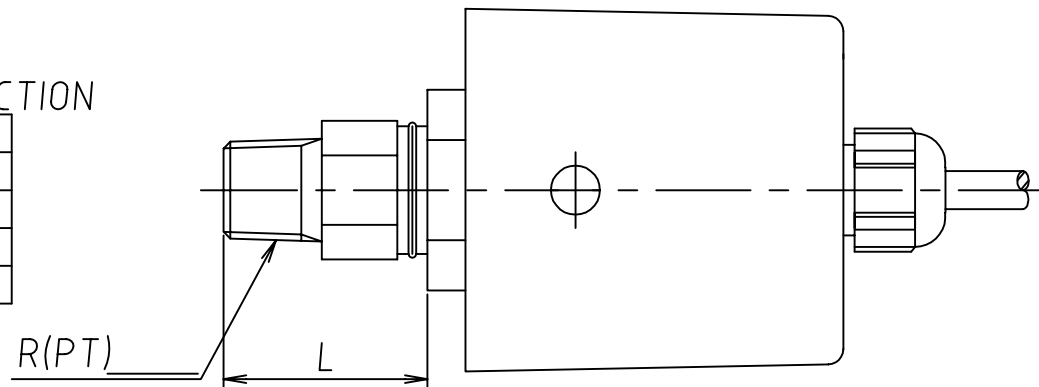
FLARED CONNECTION

	SIZE	L
<input type="checkbox"/>	1/4"	(33)
<input type="checkbox"/>	3/8"	(33)
<input type="checkbox"/>	1/2"	(43)
<input type="checkbox"/>	3/4"	(47)
<input type="checkbox"/>		



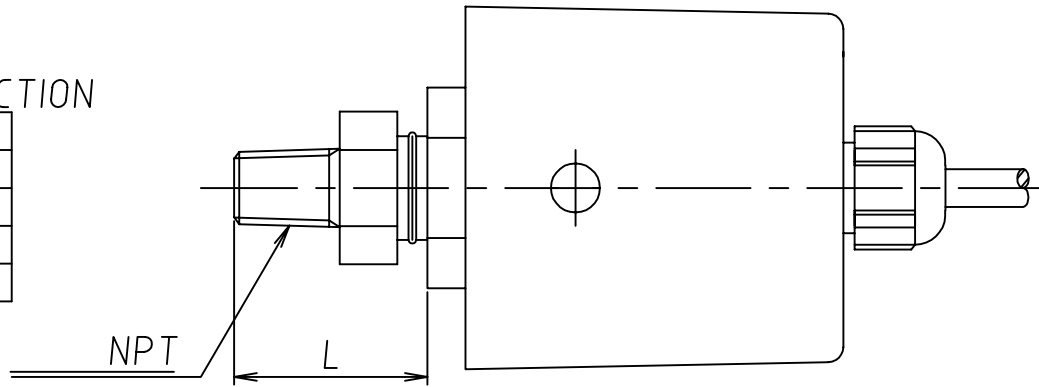
THREAD CONNECTION

	SIZE	L
<input type="checkbox"/>	R(PT)1/4	(27)
<input type="checkbox"/>	R(PT)3/8	(27)
<input type="checkbox"/>	R(PT)1/2	(31)
<input type="checkbox"/>		



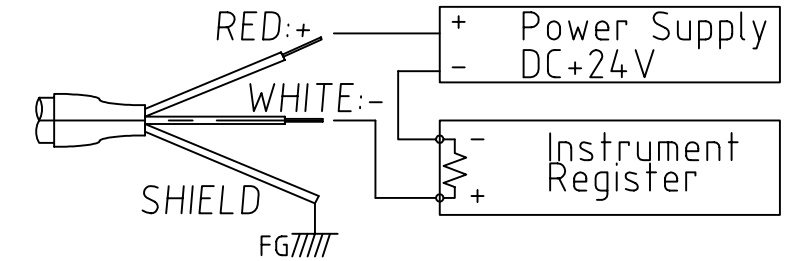
THREAD CONNECTION

	SIZE	L
<input type="checkbox"/>	1/4NPT	(25)
<input type="checkbox"/>	3/8NPT	(25)
<input type="checkbox"/>	1/2NPT	(31)
<input type="checkbox"/>		

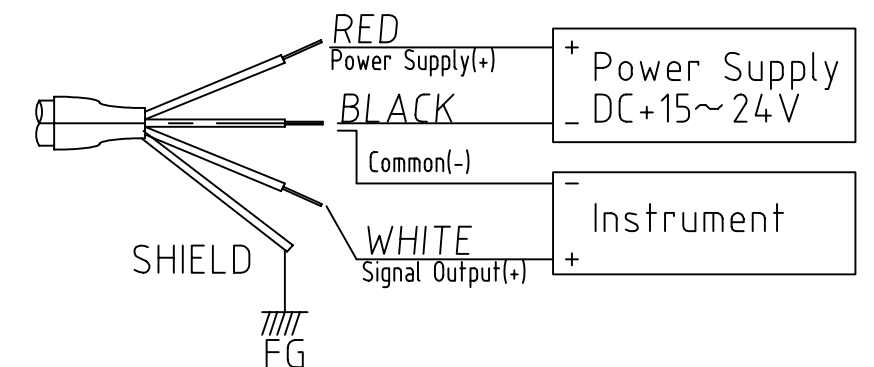


WIRING

OUTPUT SIGNAL: 4-20mA



OUTPUT SIGNAL: Voltage Type



3	Rev.No. DATE&NOTE
2	Rev.No. DATE&NOTE
1	Rev.No. DATE&NOTE

APP	REV	DSG	APP	TITLE	
				SE3200-□□□-□□	
APP	REV	DSG	REV	SCALE	DRAWING No.
				1:1	9900951
APP	REV	DSG	DSG	DATE	Rev.
			M.Tsukada	2003.03.31	△