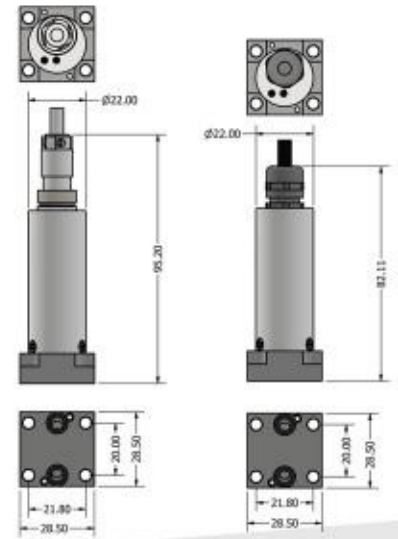


IGS Pressure sensor GTPFU Series



- Pressure sensor for integrated gas system in semiconductor process
- Zero value Hard cal' function supporting
- Complete external noise suppression
- Improved linearity, repeatability, zero shift
- Compensation function and excellent safety are secured by applying ASIC
- Hastelloy Diaphragm resistant to corrosion
- Smaller size than the existing products
- Excellent long-term stability due to low temperature change rate

■ Product specifications

Rated Input	DC24V ±10%, 20mA, 0.48W
Pressure range	-15(0)~70,100,150,250PSIG
Accuracy	±0.1%F.S
Repeatability	±0.1%F.S
Hysteresis	±0.1%F.S
Overall allowable error	±0.2%F.S
Temperature Drift	±0.01%F.S/°C
Ambient temperature	-20~80°C
Diaphragm/Body material	Hastelloy(C-22)/SS316L(D/M)
Max. pressure range	x2 F.S
Leak Rate	<1x10 ⁻⁹ Pam ³ /Sec
Surface roughness	Ra : ≤ 0.13μm (RA 5)
Process Connector	1.125" W seal
Output type	4~20mA
Cable	2 wire shield (3M) standard length

■ Model Type (EX : GTPFU-420P-S2A)

GT	PFU	-	OUT PUT		Connector		-	Seal Size		A
	IGS Block Type Transducer		420	4~20mA	P	Cable gland		S2	1.125"	GTP-A Sensor
		C			Circular connector					



E-mail : gemtech@gem-tech.co.kr

B707, Tawontakra-6, 218, Okgucheondong-ro, Siheung-si,
Gyeonggi-do, 15084 KOREA
TEL:+82-31-507-0350~2 FAX:+82-31-507-0353
KS I ISO14001:2015/ KS Q ISO 9001:2015