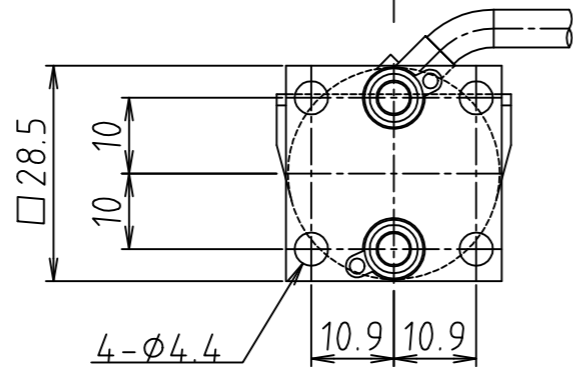


- 1:White Analog COM -
- 2:Orange Analog OUT +
- 3:Brown CNT2-COM
- 4:Yellow CNT2-OUT
- 5:Blue CNT1-COM
- 6:Green CNT1-OUT
- 7:Red Power Supply IN +24VDC
- 8:Black Power Supply IN 0V 100mA
- 9:Shield FG

PIN	Cable Color	Function	Remarks
1	White	Analog COM	COM
2	Orange	Analog OUT	Signal
3	Brown	CNT2	Emitter Open(isolate)See Instruction Manual
4	Yellow	CNT2	Collector Open(isolate)
5	Blue	CNT1	Emitter Open(isolate)
6	Green	CNT1	Collector Open(isolate)See Instruction Manual
7	Red	Power Supply	+DC24V(100mA)
8	Black	Power Supply	0V
9	Shield	Frame Grand	Must Connect to GND Line



承認者 DESIGNED APPROVED BY 承認日 DATE

会社名 COMPANY NAME

3	Rev.No. DATE&NOTE
2	Rev.No. DATE&NOTE
1	Rev.No. DATE&NOTE

APP	REV	DSG	APP	TITLE		
			K.Ootani	HYPFU-xxxM-S2/6700		
APP	REV	DSG	REV	SCALE	DRAWING No.	Rev.
			Y.Kawamura	1:1	9901453	
APP	REV	DSG	DSG	3rd DRAWING	DATE	
			M.Tsukada	TEM-TECH LAB.	2005.08.24	