

**azbil**

*Tem-Tech Lab*

— New Products —  
**Ultra High Purity Transmitter**

## **HYW Series**



### **Market**

Semiconductor/Flat panel Display/Photovoltaic

### **Measurement Fluid**

Process Gas/High Purity Gas/Special high pressure Gas

### **Application**

Cylinder Cabinet /Valve Manifold Box/Gas Panel/ Vaporizer

### **Water Process(Front End)**

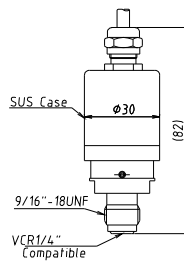
Diffusion/CVD/Etching

### **Features & Benefits**

- *HASTELLOY diaphragm applied*
- *ATF(Advanced Thick Film) Technology-a Proprietary*
- *Temperature stability improvement by advanced technology*
- *Compact design*
- *Local Zero Adjustment*
- *CE Mark / RoHS compliant*

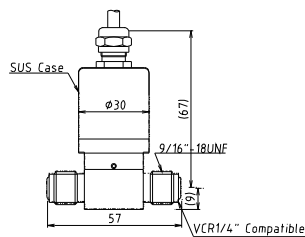
# HYW Series

Single Ended

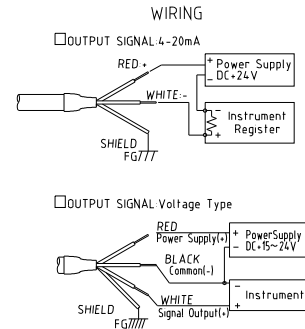


HYWSMV \*Example

Flow Through



HYWTMV



## Specifications

|                           |                            |   |
|---------------------------|----------------------------|---|
| Features                  |                            | Thick Film / Strain Gauge / "Dry" = Fluid Less                                  |
| Application               |                            | Any Gases compatible with SS316L and Hastelloy                                  |
| Pressure Range            | Zero point                 | 0MPa or -0.1MPa   |
|                           | Full scale                 | 0.5MPa, 1MPa, 2MPa, 3.5MPa, 7MPa, 20MPa   |
| Proof Pressure            |                            | 2 × F.S. ; 1.5 × F.S ( > 20MPa)   |
| Output                    |                            | 4 to 20mA   |
| Operating Temperature     |                            | 0 to 80°C   |
| Compensated Temperature   |                            | 0 to 60°C   |
| Compensated Effect        |                            | ±0.05%F.S/°C (std 25°C)   |
| Accuracy(include L.H.R)*1 |                            | ±0.3%F.S.   |
| Materials                 | Materials exposed to gases | SS316L  |
|                           | Diaphragm                  | Hastelloy C-22  |
|                           | Sensor Case                | SS304   |
| Seal Method               |                            | Ultra Precision Electron Beam Welding   |
| Leak Integrity            |                            | <5 × 10 <sup>-12</sup> Pa · m <sup>3</sup> /sec                                 |
| Surface Finish            |                            | EP treated Ra: <0.25µm  |
| Internal Volume           | SMV, TMV                   | (SMV)0.67cm <sup>3</sup> , (TMV) 1.25cm <sup>3</sup>                            |
|                           | SN(F)V, TN(F)V             | (SN)0.89cm <sup>3</sup> , (SF)0.75cm <sup>3</sup> , (TN(F)) 1.59cm <sup>3</sup> |
| Power Supply              |                            | DC24V ± 10%   |
| Response Speed            |                            | Less than 2ms   |
| Remark                    |                            | CE Mark / RoHS Compliant  |

Note: \*1 Linearity, Hysteresis & Repeatability

## Ordering Information (\*Example: HYWSMV-420P1)

| Model | Type | Fitting      | Fitting Type    | Output | Connector      | Fitting Size |
|-------|------|--------------|-----------------|--------|----------------|--------------|
| HYW   | S    | Single Ended | M Fixed Male    | V      | VCR compatible | 420 4-20mA   |
|       | T    | Flow Through | F Swivel Female | U      | UJR            | 005 0-5V     |
|       | N    | Swivel Male  |                 |        |                | 010 0-10V    |
|       |      |              |                 |        |                | T Tajimi     |
|       |      |              |                 |        |                | P Pigtail    |
|       |      |              |                 |        |                | C1 1/4"      |

Specifications are subject to change without notice.

**Tem-Tech Lab** 

**Head Office**  
2-7-13 Tsukishima, Chuo-ku  
Tokyo 104-0052 Japan  
TEL:81-3-3534-5320 FAX:81-3-3534-5322

**Tokyo Office**  
1-13-10 Minato, Chuo-ku, Tokyo  
104-0043 Japan  
TEL:81-3-3534-5320 FAX:81-3-3534-5322

URL: <http://www.tem-tech.co.jp>  
Contact: [hello@tem-tech.co.jp](mailto:hello@tem-tech.co.jp)

**Osaka Office**  
#205 9-23 Minamikawahori-chou, Tennoji,  
Osaka, Osaka 543-0054 Japan  
TEL:81-6-6776-9270 FAX:81-6-6776-9271

AGENT:

No part of this publication may be reproduced or duplicated without the prior written permission of Tem-Tech Lab