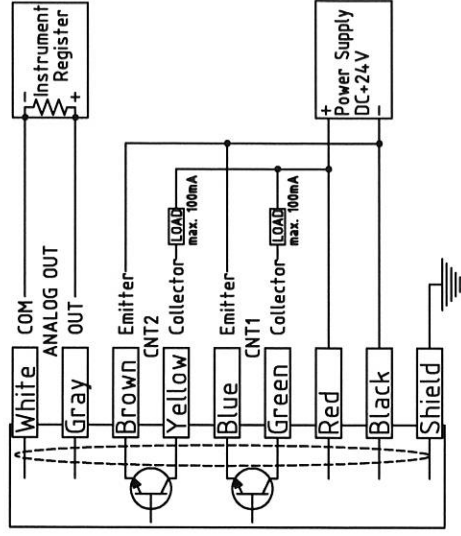
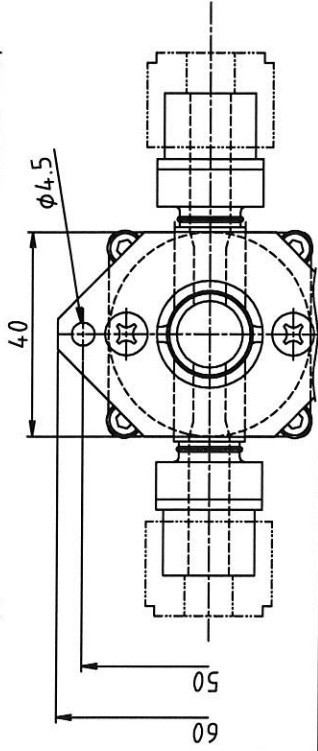


WIRING DIAGRAM



Cable Color	Function	Remarks
White	Analog COM	COM
Gray	Analog OUT	Signal
Brown	CNT2	Emmitter Open(isolate) See Instruction Manual
Yellow	CNT2	Collector Open(isolate)
Blue	CNT1	Emmitter Open(isolate)
Green	CNT1	Collector Open(isolate) See Instruction Manual
Red	Power Supply +DC24V(100mA)	
Black	Power Supply 0V	
Shield	Frame Grand	Must Connect to GND Line



承認者 DESIGNED BY 承認日 DATE

会社名 COMPANY NAME

APP REV DSG APP REV DSG APP REV DSG

SCALE 1:1 3rd DRAWING

TITLE SE4000-□□□□-S2/6200T

DRAWING No. 9901801

DATE 2007.09.19

M. Tsukada