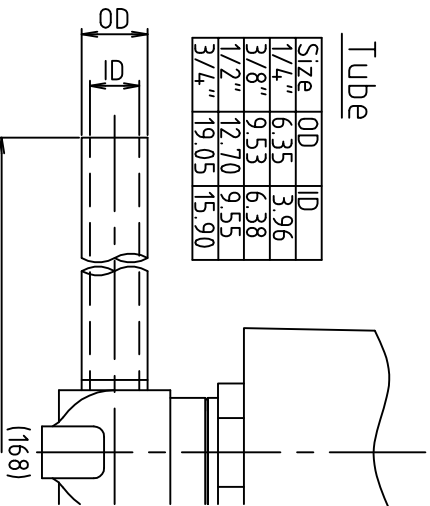


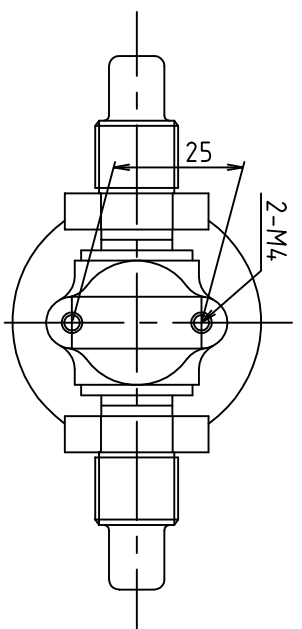
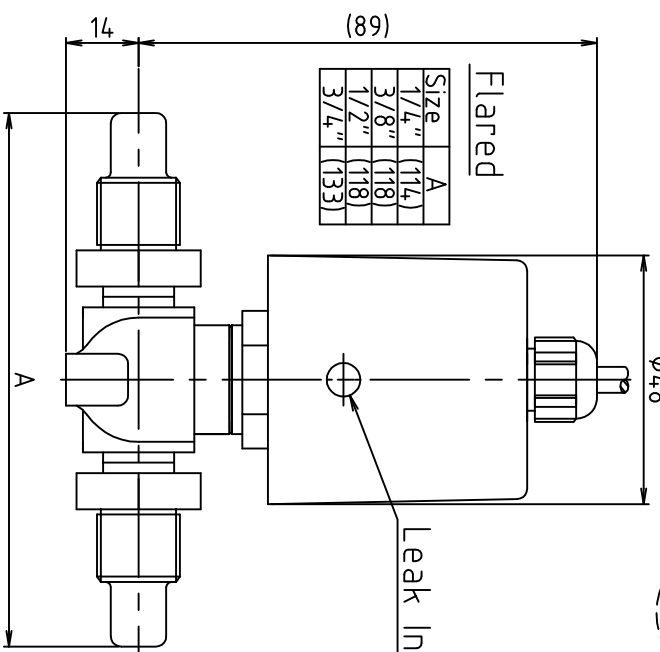
Tube

Size	OD	ID
1/4"	6.35	3.96
3/8"	9.53	6.38
1/2"	12.70	9.55
3/4"	19.05	15.90

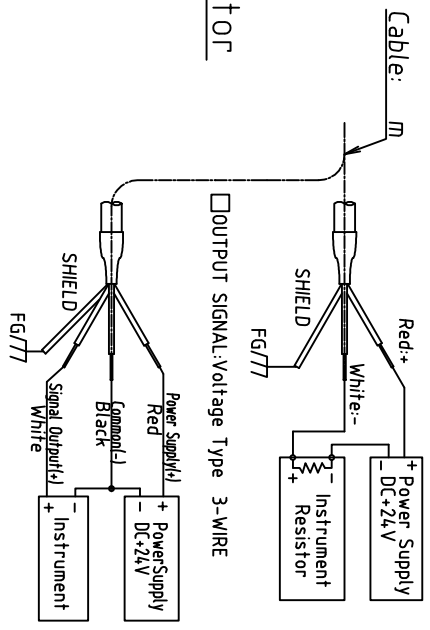


Flared

Size	A
1/4"	(114)
3/8"	(118)
1/2"	(118)
3/4"	(133)



WIRING



SE3301TZD-□□□P□□

FITTING	
<input type="checkbox"/>	P: Tube
<input type="checkbox"/>	F: Flared

Output signal	Size
<input type="checkbox"/> 4.20 : 4-20mA	<input type="checkbox"/> 1 : 1/4"
<input type="checkbox"/> 005 : 0-5V	<input type="checkbox"/> 2 : 3/8"
<input type="checkbox"/> 105 : 1-5V	<input type="checkbox"/> 3 : 1/2"
<input type="checkbox"/> 010 : 0-10V	<input type="checkbox"/> 4 : 3/4"

APP	REV	DSG	APP	TITLE	DATE
APP	REV	DSG	H.Narita	SE3301TZD-□□□P□□	
APP	REV	DSG	T.Yamada	Scale 1:1 3rd Drawing	DRAWING No. 9902865
APP	REV	DSG	K.Yusasa	TEM-TECH LAB.	DATE 2014.1.30