

*Tem-Tech Lab*

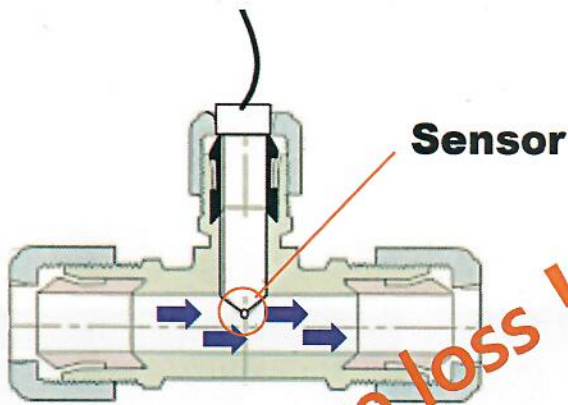
ALL PFA temperature sensor

Temperature measurement for corrosive fluids inside piping and vessels

Temperature sensor integrated with PFA fitting

# TTC series

Simple installation and easy maintenance



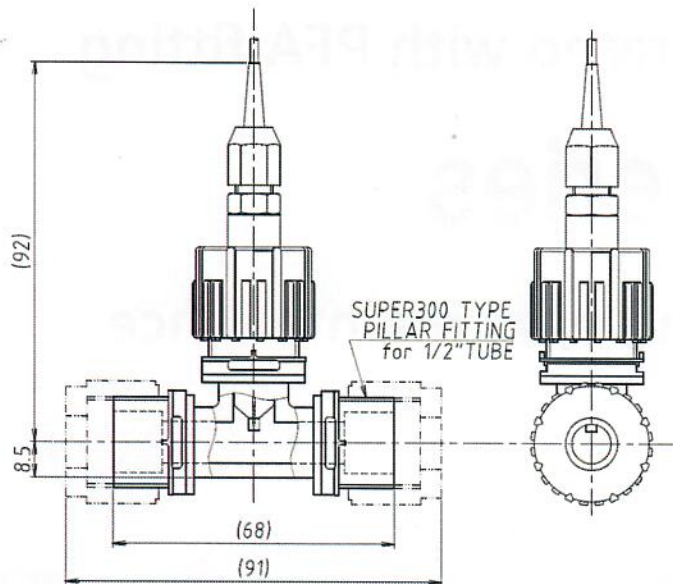
**No pressure loss !**  
**No contamination permitted !**

## Feature

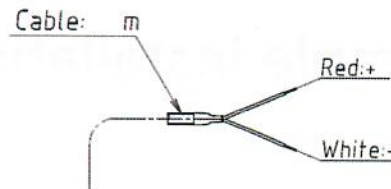
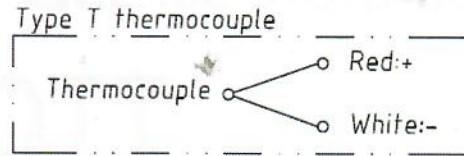
- Types and sizes of fitting parts selectable\_ Super300 1/2" or Flared 1/2"
- All PFA sensor resistant to corrosive fluids
- The design permits no dead volume avoids nor pressure loss
- No contamination permitted
- Measuring 0 to 100°C(32 to 212°F)



◀ Drawing



Ex. TTC-P33-00TPP33



◀ Ordering Information

Model	TYPE	Fitting	Output	Connector	Tee Size
	TTC	Type T thermocouple			
		P33	Super300 1/2" (Pillar)		
		PF3	Flared 1/2" (Parker)		
		EF3	Flared 1/2" (Entegris) option		
		00T	Type T thermocouple Direct		
			P	Pigtail	
			P33	Super 300 1/2" / Super 300 1/2" (Pillar)	
			PF3	Flared 1/2" / Flared 1/2" (Parker)	
			EF4	Flared 3/4" / Flared 3/4" (Entegris) option	

Specifications are subject to change without notice.

# Tem-Tech Lab

**Head Office**  
 2-7-13 Tsukishima, Chuo-ku  
 Tokyo 104-0052 Japan  
 TEL:81-3-3534-5320 FAX:81-3-3534-5322

**Osaka Branch**  
 #205 9-23 Minamikawahori-chou, Tennoji,  
 Osaka, Osaka 543-0054 Japan  
 TEL:81-6-6776-9270 FAX:81-6-6776-9271

URL: <http://www.tem-tech.co.jp/>  
 Contact : [sales@tem-tech.co.jp](mailto:sales@tem-tech.co.jp)

AGENT: